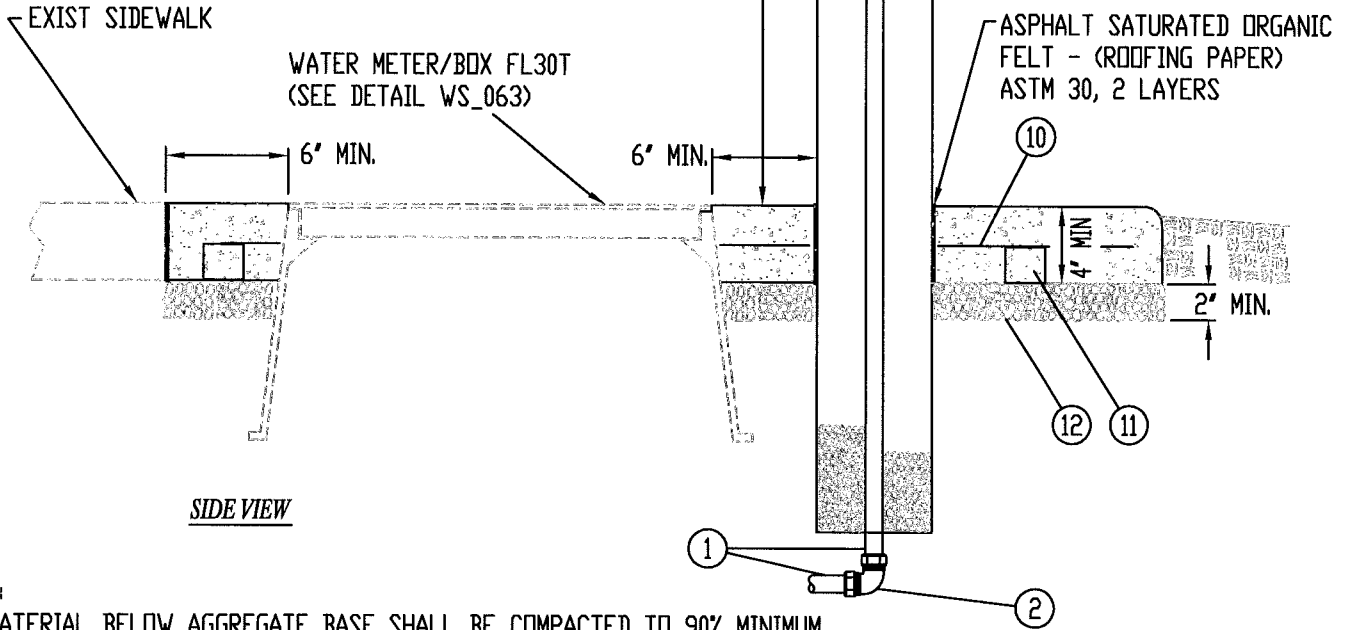


TOP VIEW



SIDE VIEW

NOTE:

1. MATERIAL BELOW AGGREGATE BASE SHALL BE COMPACTED TO 90% MINIMUM.
2. REINFORCED CONCRETE PAD SHALL BE FINISHED WITH AN EDGING TOOL AROUND THE ENTIRE PERIMETER AND BROOMED AT RIGHT ANGLES TO THE DIRECTION OF TRAVEL.

1	3/4" COPPER TUBING - TYPE K HARD	8	PEA GRAVEL - ENTIRE LENGTH OF ENCLOSURE
2	3/4" BRASS ELBOW - CTS COMP	9	REINFORCED CONCRETE PAD - TYPE II SIX-SACK PORTLAND CEMENT
3	3/4" SWEAT x MIP ADAPTOR	10	3/8" (#3) REBAR - 2" INSIDE PERIMETER
4	3/4" x 1/2" BRASS BELL REDUCER	11	CONCRETE DOBIE w/ WIRE
5	1/2" x 3" BRASS NIPPLE	12	3/4" CLASS 2 AGGREGATE BASE - 2" MINIMUM MECHANICALLY COMPACTED TO 90%
6	1/2" x 3/8" WATER QUALITY SAMPLE VALVE (INCLUDED w/#7)		
7	PROTECTIVE ENCLOSURE - KORALEEN STATION GUARD XLT #0001-3		



**CITRUS  
HEIGHTS  
WATER  
DISTRICT**

# WATER SAMPLING STATION

**CITRUS HEIGHTS WATER DISTRICT**

APPROVED BY:

*Robert A. Chumbley*

DATE:

5/8/13

CITRUS HEIGHTS WATER DISTRICT

DRAWN: 8 MAY 2013

REVISED:

SCALE: N.T.S.

DESIGN: P.A.D.

CAD FILE: WS\_079.DWG

PAGE:

WS\_079