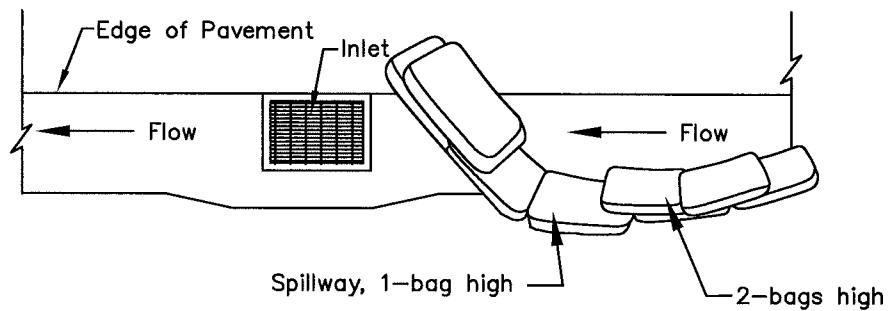


TYPICAL PROTECTION FOR INLET ON SUMP



TYPICAL PROTECTION FOR INLET ON GRADE

NOTES:

1. Intended for short-term use.
2. Use to inhibit non-storm water flow.
3. Allow for proper maintenance and cleanup.
4. Bags must be removed after adjacent operation is completed
5. Not applicable without filter fabric in areas with high silts and clays.



**CITRUS
HEIGHTS
WATER
DISTRICT**

**STORM DRAIN INLET PROTECTION
CURB INLET INSTALLATION**

CITRUS HEIGHTS WATER DISTRICT

APPROVED BY: Robert A. Chumblee DATE: 5/8/13
CITRUS HEIGHTS WATER DISTRICT

DRAWN:	8 MAY 2013
REVISED:	NONE
SCALE:	N.T.S.
DESIGN:	P.A.D.
CAD FILE:	SWPPP_101.DWG
PAGE:	SWPPP_101