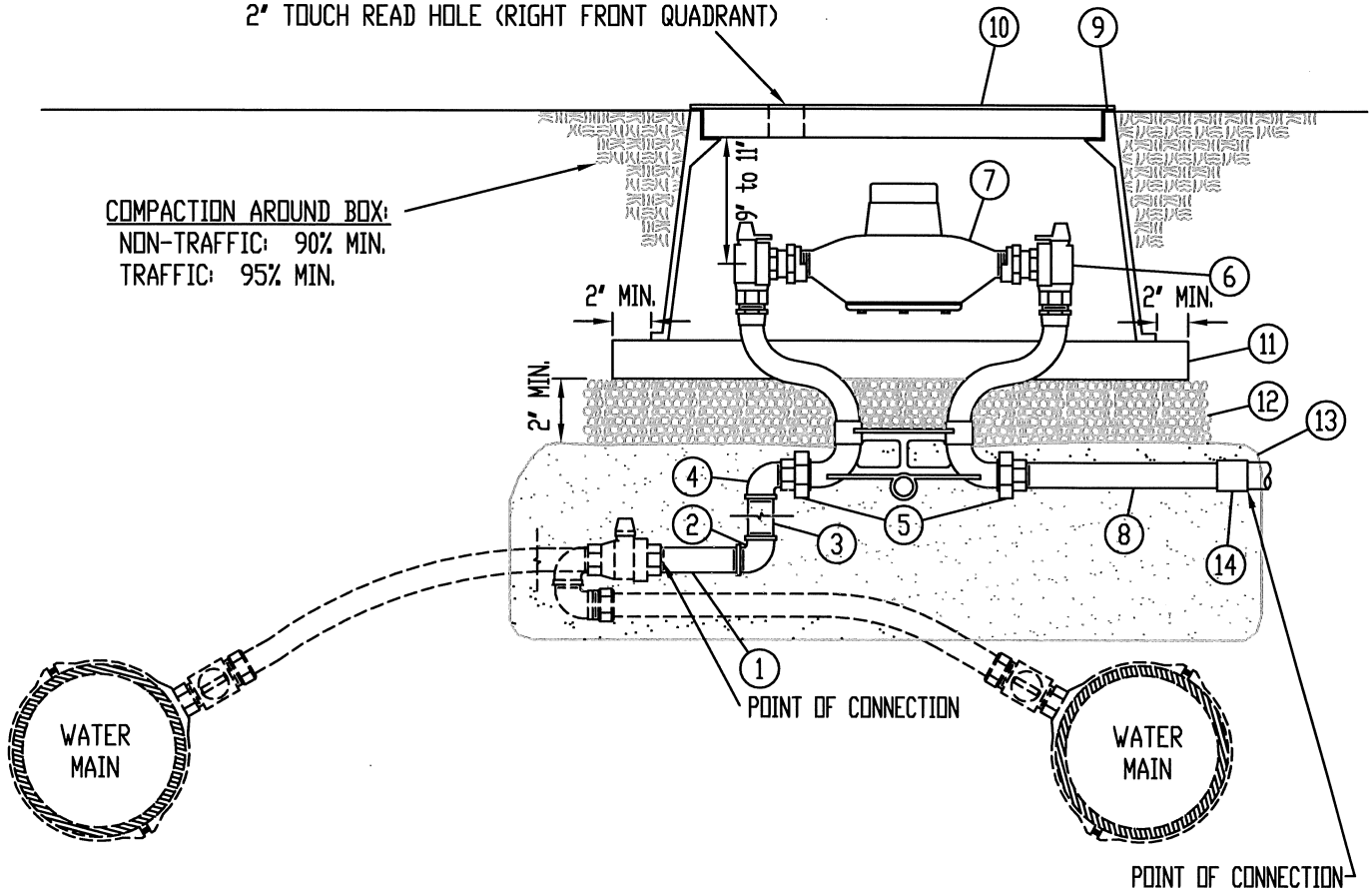


2' TOUCH READ HOLE (RIGHT FRONT QUADRANT)

COMPACTION AROUND BOX:
NON-TRAFFIC: 90% MIN.
TRAFFIC: 95% MIN.



CARSON 1220-4B 'T' TYPE LID:

SHALL INCLUDE STRAIGHT TYPE HEXAGON LOCK-DOWN BOLT (1) AND TOUCH READ HOLE. SHALL BE MARKED "WATER"

CHRISTY FL30T RECESSED LID:

SHALL INCLUDE STRAIGHT TYPE PENTAHEAD LOCK-DOWN BOLTS (2) AND TOUCH READ HOLE. SHALL BE MARKED "WATER"

METER YOKE:

FORD, JONES, MUELLER, McDONALD

1	1' x 3' BRASS OR COPPER NIPPLE	7	1' WATER METER (BY DISTRICT)	
2	1' BRASS ELBOW	8	1' x 18' PVC NIPPLE - SCH 80	
3	1' BRASS OR COPPER (AS NECESSARY TO ADJUST TO PROPER GRADE)		NON-TRAFFIC AREAS	TRAFFIC AREAS
4	1' BRASS STREET ELBOW	9	METER BOX	CARSON 1220-12 CHRISTY FL30TBX12
5	1' DUAL PURPOSE CONNECTION	10	LID	CARSON 1220-4B CHRISTY FL30T
6	1' COPPER/BRASS METER YOKE - 12' HEIGHT w/2 FULL-PORT ANGLE BALL VALVES INCLUDING PADLOCK WINGS ON INLET AND OUTLET	11	2' x 6' PRESSURE TREATED DOUGLAS FIR SUPPORTS (2)	
		12	3/4' CLEAN CRUSHED ROCK	
		13	#2 WASHED SAND COMPACTED TO 90%	
		14	1' PVC COUPLING - SCH 80	



**CITRUS
HEIGHTS
WATER
DISTRICT**

1" WATER SERVICE - 1" WATER METER RETROFIT

CITRUS HEIGHTS WATER DISTRICT

APPROVED BY: Robert A. Chubb DATE: 5/8/13
CITRUS HEIGHTS WATER DISTRICT

DRAWN: 8 MAY 2013
REVISED:
SCALE: N.T.S.
DESIGN: P.A.D.
CAD FILE: WS_103.DWG
PAGE: **WS_103**