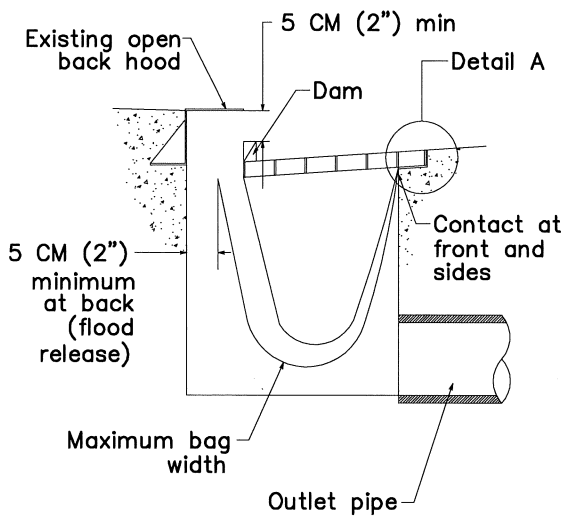
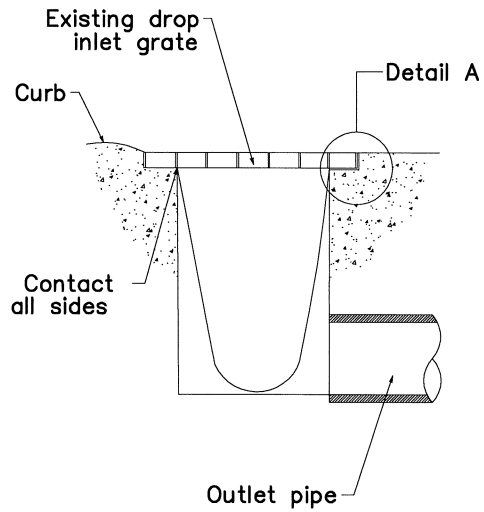


DETAIL A



PLACEMENT AT CURB INLETS



PLACEMENT AT AREA INLETS



**CITRUS
HEIGHTS
WATER
DISTRICT**

**STORM DRAIN INLET PROTECTION
FILTER BAG INSTALLATION**

CITRUS HEIGHTS WATER DISTRICT

APPROVED BY: Robert A. Chubb DATE: 5/8/13
CITRUS HEIGHTS WATER DISTRICT

DRAWN: 8 MAY 2013
REVISED: NONE
SCALE: N.T.S.
DESIGN: P.A.D.
CAD FILE: SWPPP_100.DWG
PAGE: SWPPP_100