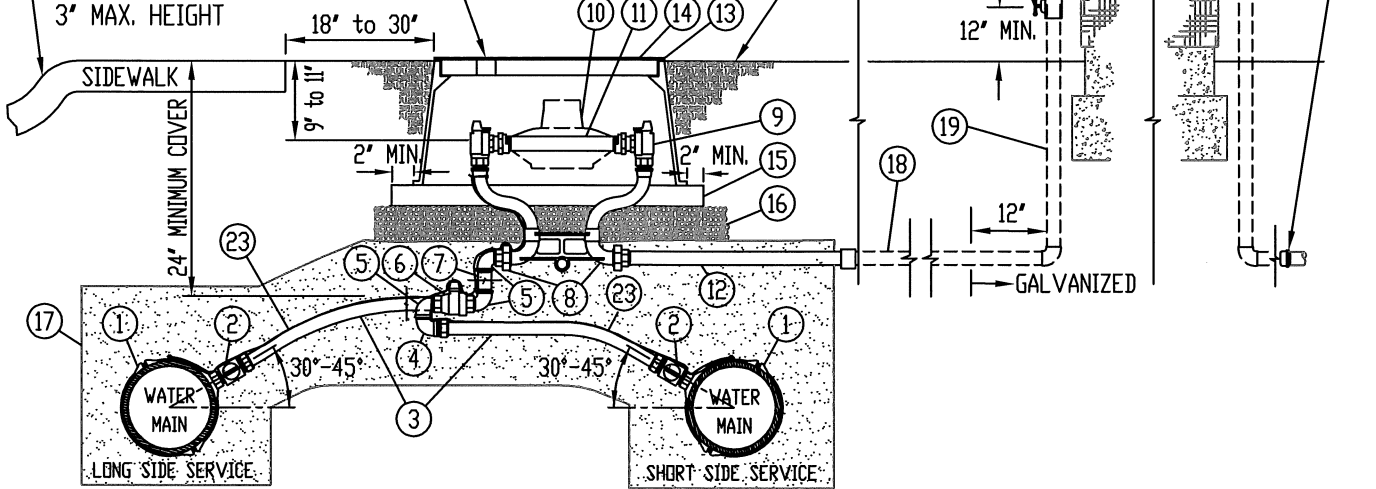


TOUCH READ HOLE (RIGHT FRONT QUADRANT)

'W' STAMPED OR CUT IN CURB. 3' MAX. HEIGHT

COMPACTION AROUND BOX:
NON-TRAFFIC: 90% MIN.
TRAFFIC: 95% MIN.



CARSON 1220-4B 'T' TYPE LID:

SHALL INCLUDE STRAIGHT TYPE HEXAGON LOCK-DOWN BOLT (1) AND TOUCH READ HOLE. SHALL BE MARKED "WATER"

CHRISTY FL30T RECESSED LID:

SHALL INCLUDE STRAIGHT TYPE PENTAHEAD LOCK-DOWN BOLTS (2) AND TOUCH READ HOLE. SHALL BE MARKED "WATER"

METER YOKE:

FORD, JONES, MUELLER, McDONALD

1	1' BRONZE SADDLE - IPT	10	1' WATER METER (BY DISTRICT)
2	1' CORPORATION STOP - FULL-PORT BALL, MIP x CTS COMP w/ STAINLESS STEEL INSERT (1' CTS INSERT-52)	11	PVC METER IDLER - 1 1/4" x 10 3/4", SCH 80 (BY CONTRACTOR)
3	1' POLYETHYLENE TUBING - CTS ENDOPORE PE-4710 SODR 9 (250 PSI) OR EQUAL	12	1' x 18' PVC NIPPLE - SCH 80 (BRASS IF BACKFLOW)
4	1' BRASS STREET ELBOW - CTS COMP x MIP w/ STAINLESS STEEL INSERT (1' CTS INSERT-52)		NON-TRAFFIC AREAS
5	1' BRASS STREET ELBOW	13	METER BOX
6	1' VALVE - FULL-PORT BALL, FIP x FIP or CTS COMP x FIP w/ STAINLESS STEEL INSERT (1' CTS INSERT-52)	14	LID
7	1' BRASS NIPPLE (AS NECESSARY TO ADJUST TO PROPER GRADE)	15	2' x 6' PRESSURE TREATED DOUGLAS FIR SUPPORTS (2)
8	1' DUAL PURPOSE CONNECTION	16	3/4" CLEAN CRUSHED ROCK
9	1' COPPER/BRASS METER YOKE - 12" HEIGHT w/2 FULL PORT ANGLE BALL VALVES INCLUDING PADLOCK WINGS ON INLET AND OUTLET	17	#2 WASHED SAND COMPACTED TO 90%
		18	1 1/4" PVC SCH 40 w/ SCH 80 FITTINGS
		19	1 1/4" GALVANIZED PIPE
		20	1 1/4" GATE VALVE
		21	GALVANIZED PIPE AND FITTINGS - SIZE TO MATCH EXISTING
		22	HOSE BIB - SIZE TO MATCH EXISTING
		23	#10 INSULATED COPPER LOCATING WIRE



**CITRUS
HEIGHTS
WATER
DISTRICT**

**1" POLYETHYLENE WATER SERVICE - 1" WATER METER
INCLUDING SERVICE LINE TO DWELLING**

CITRUS HEIGHTS WATER DISTRICT

APPROVED BY:

Robert A. Chubbie

DATE: 9/25/14

CITRUS HEIGHTS WATER DISTRICT

DRAWN: 25 SEP 2014

REVISED:

SCALE: N.T.S.

DESIGN: P.A.D.

CAD FILE: WS_102PE.DWG

PAGE:

WS_102PE