

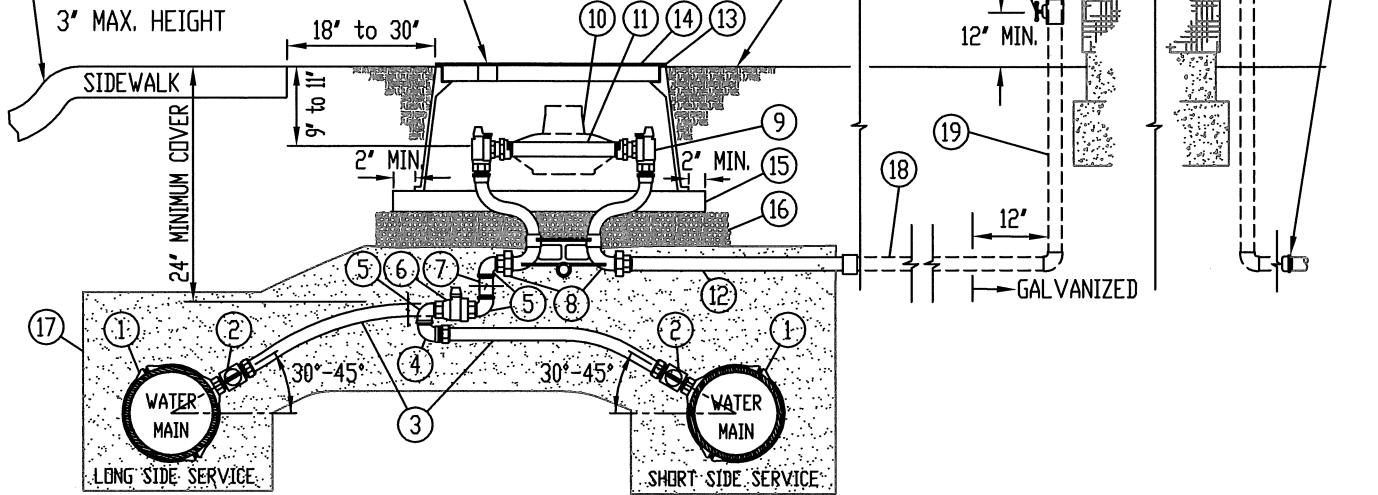
TOUCH READ HOLE (RIGHT FRONT QUADRANT)

'W' STAMPED OR CUT IN CURB. 3' MAX. HEIGHT

24" MINIMUM COVER

COMPACTION AROUND BOX:
NON-TRAFFIC: 90% MIN.
TRAFFIC: 95% MIN.

NEW POINT OF CONNECTION AT DWELLING
CAP OLD POINT OF CONNECTION AS REQUIRED.



CARSON 1220-4B 'T' TYPE LID:

SHALL INCLUDE STRAIGHT TYPE HEXAGON LOCK-DOWN BOLT (1) AND TOUCH READ HOLE. SHALL BE MARKED 'WATER'

CHRISTY FL30T RECESSED LID:

SHALL INCLUDE STRAIGHT TYPE PENTAHEAD LOCK-DOWN BOLTS (2) AND TOUCH READ HOLE. SHALL BE MARKED 'WATER'

METER YOKE:

FORD, JONES, MUELLER, McDONALD

1	1' BRONZE SADDLE - IPT	11	PVC METER IDLER - 1 1/4" x 10 3/4", SCH 80 (BY CONTRACTOR)	
2	1' CORPORATION STOP - FULL-PORT BALL, MIP x CTS COMP	12	1' x 18" PVC NIPPLE - SCH 80 (BRASS IF BACKFLOW)	
3	1' COPPER TUBING - TYPE K SOFT		NON-TRAFFIC AREAS	TRAFFIC AREAS
4	1' BRASS STREET ELBOW - CTS COMP x MIP	13	METER BOX	CARSON 1220-12 CHRISTY FL30TBOX12
5	1' BRASS STREET ELBOW	14	LID	CARSON 1220-4B CHRISTY FL30T
6	1' VALVE - FULL-PORT BALL, FIP x FIP or CTS COMP x FIP	15	2' x 6' PRESSURE TREATED DOUGLAS FIR SUPPORTS (2)	
7	1' BRASS or COPPER (AS NECESSARY TO ADJUST TO PROPER GRADE)	16	3/4" CLEAN CRUSHED ROCK	
8	1' DUAL PURPOSE CONNECTION	17	#2 WASHED SAND COMPACTED TO 90%	
9	1' COPPER/BRASS METER YOKE - 12" HEIGHT w/2 FULL-PORT ANGLE BALL VALVES INCLUDING PADLOCK WINGS ON INLET AND OUTLET	18	1 1/4" PVC SCH 40 w/ SCH 80 FITTINGS	
		19	1 1/4" GALVANIZED PIPE	
		20	1 1/4" GATE VALVE	
		21	GALVANIZED PIPE AND FITTINGS - SIZE TO MATCH EXISTING	
10	1' WATER METER (BY DISTRICT)	22	HOSE BIB - SIZE TO MATCH EXISTING	

1" COPPER WATER SERVICE - 1" WATER METER INCLUDING SERVICE LINE TO DWELLING

CITRUS HEIGHTS WATER DISTRICT



**CITRUS
HEIGHTS
WATER
DISTRICT**

APPROVED BY:

Robert A. Churchill

DATE: 9/25/14

CITRUS HEIGHTS WATER DISTRICT

DRAWN: 25 SEP 2014

REVISED:

SCALE: N.T.S.

DESIGN: P.A.D.

CAD FILE: WS_102CU.DWG

PAGE:

WS_102CU